

# FRASER HILL FARM®

## Accent Tree Assembly Instructions and Helpful Hints

**Save These Instructions for future use!**

Thank you for your purchase of this quality Christmas decor. With proper use and care, your Christmas decor will provide you with years of enjoyment. If you should have any problems with your tree, or if the tree does not light after assembly, please DO NOT return it to the place of purchase. Instead, please call our toll-free number 1-855-591-7451 between 9AM and 8PM or email us at [Holiday@FraserHillFarm.com](mailto:Holiday@FraserHillFarm.com) and a customer service representative will assist you. Enjoy your Holiday!

### Finding the Model Number

The model number is located on the side of the carton and on your purchase receipt. Please save or take a photo for any future questions or warranty needs.

### What's Included in the Box

- Tree Base or Tree Pot (Varies by style)
- Accent Tree (1 or 2 tree sections depending on tree size)

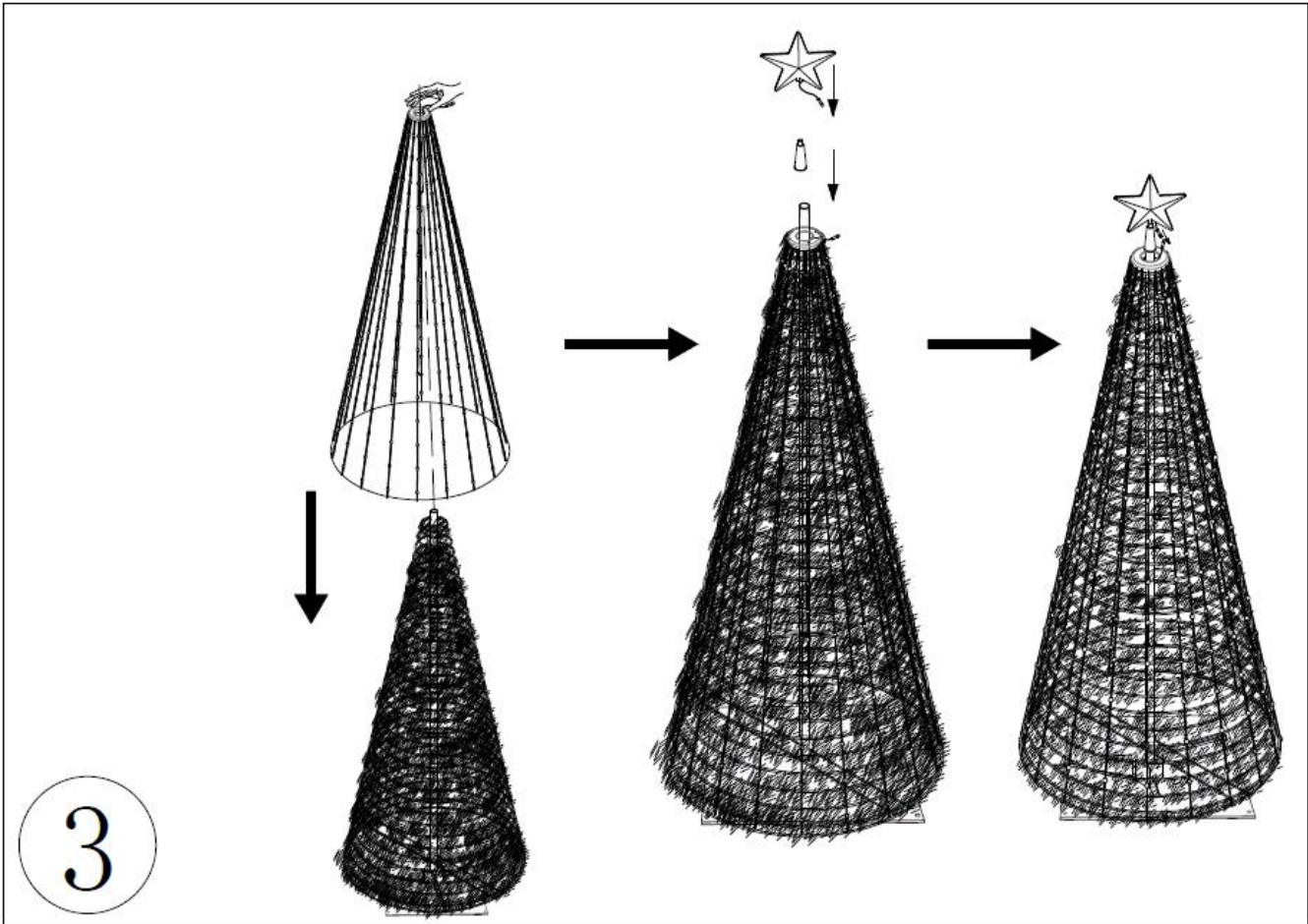
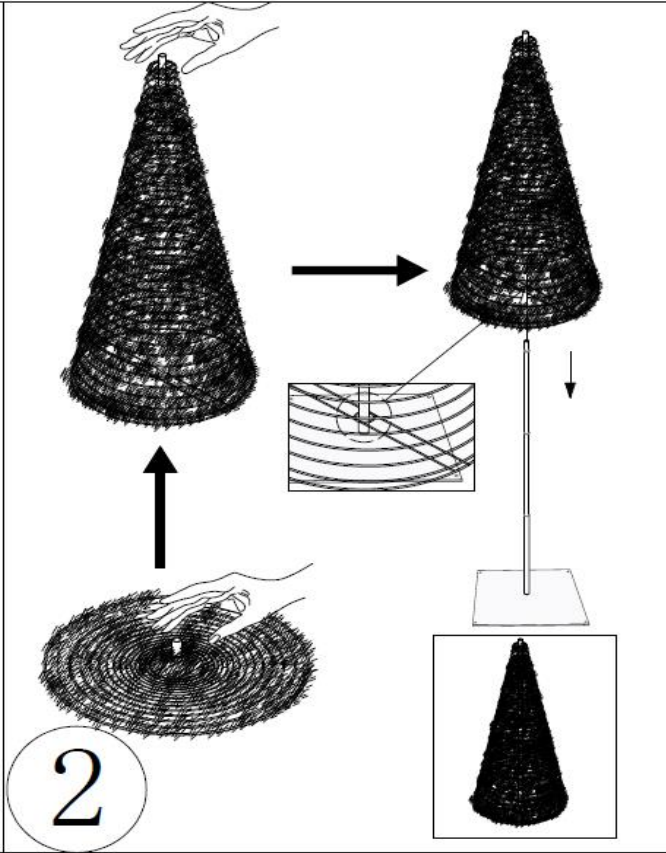
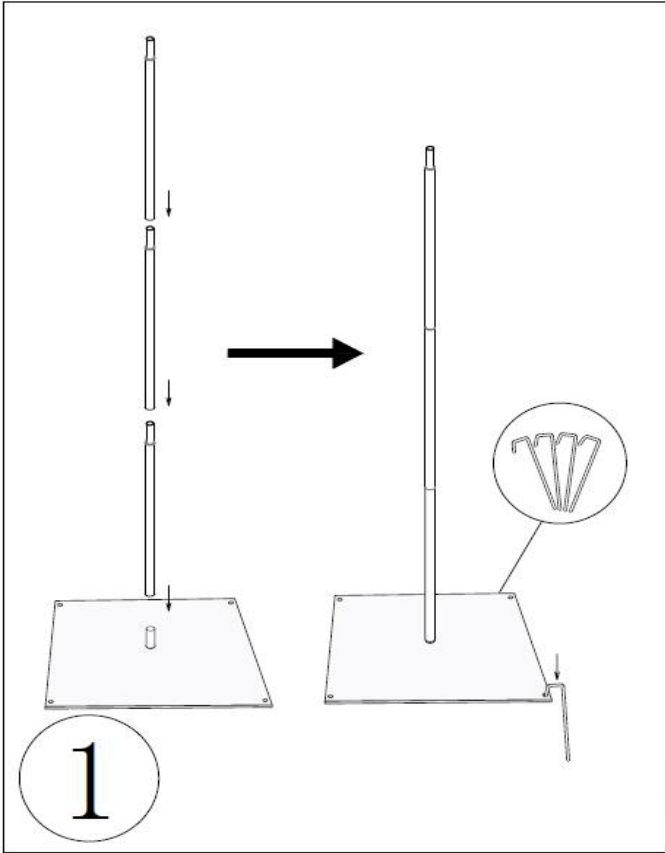
**Please read all instructions completely** before assembling your tree. Use only miniature tree lights.

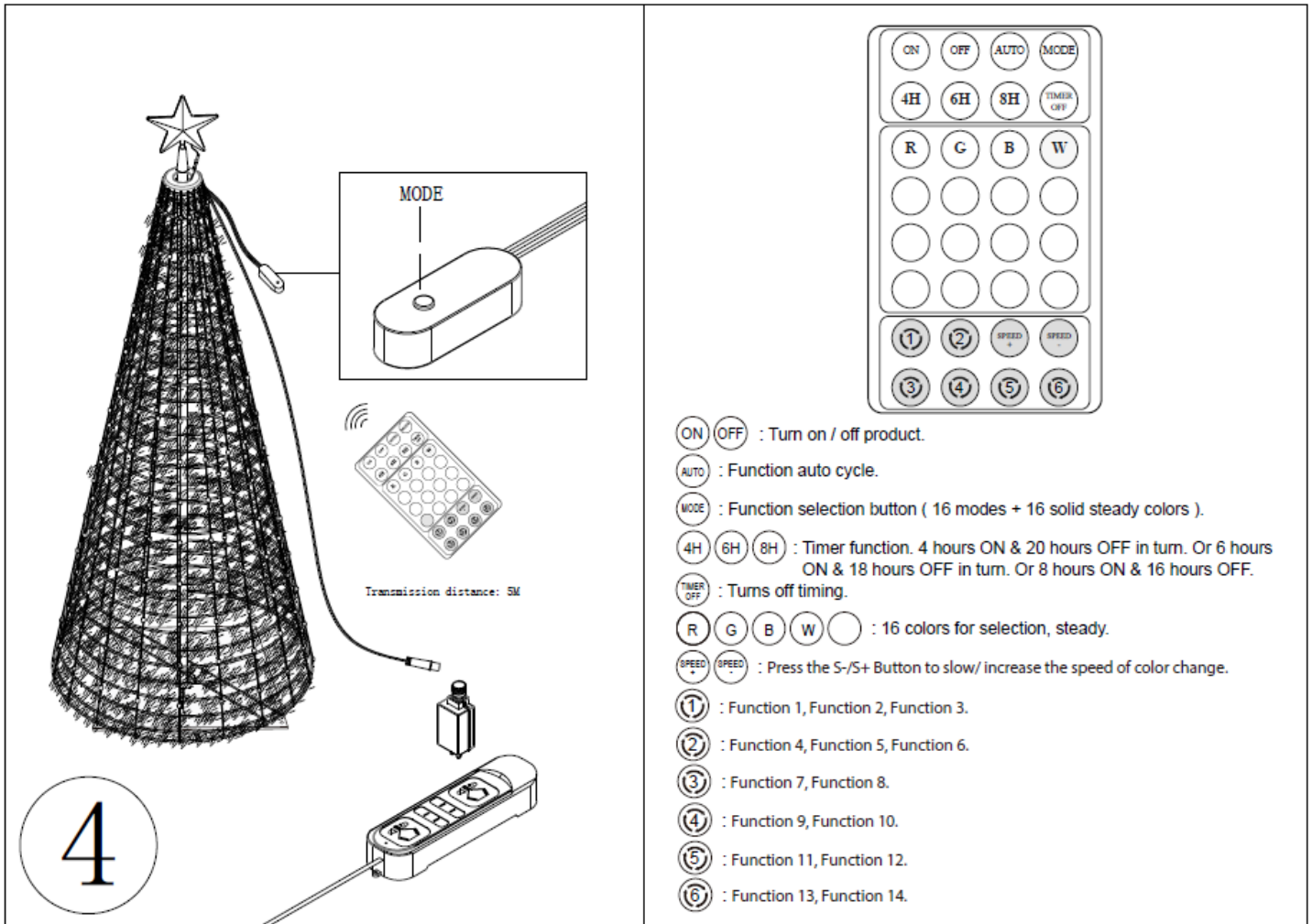


### **WARNING:**

1. This product is for indoor or covered outdoor use only. Do not place in direct sunlight.
2. This product is for decoration only and is not a toy. Use caution with children under the age 8.
3. Do not position the decoration near candles, sources of heat, or in direct sunlight.
4. The decoration cannot be connected to the power supply directly.
5. Decoration should be on a level, stable surface to prevent it from falling over.
6. This product is fragile and should be assembled with care.
7. Please follow the steps and requirements specified in the instruction to ensure safety and reliability during the installation.

**Storage Tips:** We recommend saving the original carton to store the tree in or using a tree storage bag. Store tree in a cool, dry area where the temperature does not exceed 100°F.





Questions about assembly? Head to [FraserHillFarm.com](http://FraserHillFarm.com) for more Holiday assembly tips and tricks.

# 1-Year Limited Warranty

“Limited” Warranty Program

For a period of one (1) year after purchase, Fraser Hill Farm (“Manufacturer”) will either repair or replace defective components in accordance with this Limited Warranty.

***Sales and use taxes, plus shipping and handling charges are the responsibility of the consumer.***

This warranty is between Manufacturer and the original purchaser and is valid only when accompanied by the original purchaser’s sales receipt showing original date of purchase and location of purchase. Replacements under this warranty revert back to the date of original purchase for future warranty.

Manufacturer or its authorized dealer can accept or reject warranty claims based on its findings. This warranty applies in normal residential use only, where an issue with the product is due to a defect in material or workmanship. Manufacturer can make substitutions as required of materials, components, and sub-components of comparable value and utility. This warranty is limited to product repair or replacement (to be determined solely by Manufacturer). Warranty return is limited to only the single affected component.

This warranty covers only manufacturing defects and does not cover normal wear and tear, abuse or misuse, including: water damage, chemical damage, exposure to extreme heat or cold, abrasion or excessive weight. This product is intended to be used with standard ornaments only. This warranty is invalid if the product is not used for intended purpose. Manufacturer disclaims liability for any aspect of installation and any inconvenience caused by a defective part or component.

Certain items are not covered by this warranty. These include, but are not limited to the following:

1. Components subjected to abuse, including abuse intended to simulate failure.
2. Damages caused by retailer, shipper or installation crew (such as scratches, dents, tears, etc.).
3. Any part which merely exhibits normal wear yet functions essentially as new, including stretching of materials and stitching.
4. Tears, punctures, scratches, or any damage caused by improper installation or use.
5. Items sold “as-is” or “floor models”.

To make a claim, send a copy of the original sales receipt along with a brief description of the problem to the email address below. Please include your email address and daytime telephone or cell phone #. All items may be charged actual freight and handling costs. Repairs or replacement will be made at the Manufacturer’s option.

**THIS IS THE ENTIRE EXCLUSIVE EXPRESS LIMITED LIABILITY. THE MANUFACTURER NEITHER MAKES NOR IS RESPONSIBLE FOR ANY OTHER WARRANTIES, EITHER EXPRESS OR IMPLIED, INCLUDING THOSE OF RETAILING DEALERS. THIS EXCLUSIVE REMEDY IS LIMITED TO RECEIPT OF A CREDIT IN CONNECTION WITH THE REPAIR OR REPLACEMENT OF ANY PRODUCT OR COMPONENT DEEMED TO BE DEFECTIVE UNDER THE TERMS AND CONDITIONS AS STATED IN THIS WARRANTY. NEITHER FRASER HILL FARM, THE PRODUCT MANUFACTURER NOR ITS AGENTS SHALL BE LIABLE IN ANY CASE FOR INCIDENTAL, INDIRECT, SPECIAL OR CONSEQUENTIAL DAMAGES RESULTING FROM THE USE OF THIS PRODUCT OR ARISING OUT OF ANY BREACH OF THIS WARRANTY OR NEGLIGENCE EVEN IF IT HAS BEEN ADVISED OF THE POSSIBILITY OF SUCH DAMAGES. EXCEPT AS OTHERWISE MAY BE REQUIRED BY LAW, THERE ARE NO OTHER EXPRESS OR IMPLIED WARRANTIES OTHER THAN THE WARRANTY DESCRIBED HEREIN, AND ALL OTHER WARRANTIES, INCLUDING ANY IMPLIED WARRANTY OF MERCHANTABILITY OR FITNESS FOR A PARTICULAR PURPOSE ARE EXPRESSLY DISCLAIMED.**

**Holiday@FraserHillFarm.com**

**1-855-591-7451**

**www.FraserHillFarm.com**